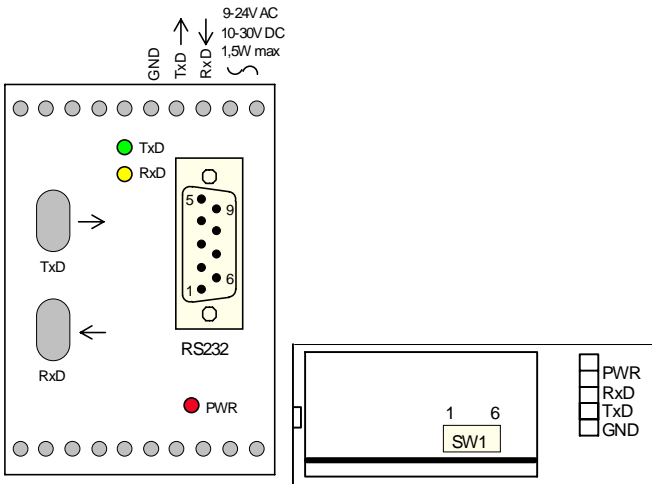


DIN 7.0/232

single channel converter

RS 232 ↔ Fiber Optic
transfer RxD and TxD



SETTING OF OPERATING MODES - SW1

SW1	MODE	CONNECTOR - DB9M
1,2 - ON, 3,4 - OFF	DCE	2-TxD, 3-RxD, 5-GND
1,2 - OFF, 3,4 - ON	DTE	3-TxD, 2-RxD, 5-GND *

* signal are changed on screw, too

SW1	Fiber Optic - LOGIC	FUNCTION
5 - OFF	direct for receiver	HI – light ON, LOW – light OFF
5 - ON	inverse for receiver	LOW – light ON, HI – light OFF
6 - OFF	direct for transmitter	light - HI, do not light - LOW
6 - ON	inverse for transmitter	light - LOW, do not light – HI

TECHNICAL PARAMETRES

max. transfer rate	115 kb/s
max. line length	1 700 m / 62.5um
transferred signals	RxD, TxD
RS232 signal connecting	DCE/DTE
transfer mode	asynchron, full duplex
connector RS232	screw + DB9M
connector fiber optic	ST (SMA, SC, FC)
overvoltage (soft) protection - RS232	600W/1ms
overvoltage (soft) protection - supply	600W/1ms
polarity inversion protection - supply	diode bridge
optical indication (LED)	red PWR yellow RxD green TxD
protection	IP 30
weight	0.10 kg
power supply	10-30V DC 9-24V AC
power consumption	max 1.1 W
dimension (l x h x b)	76 x 55 x 115 mm

